

Revision Notes.

R1 -

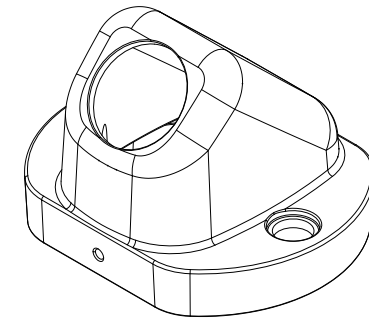
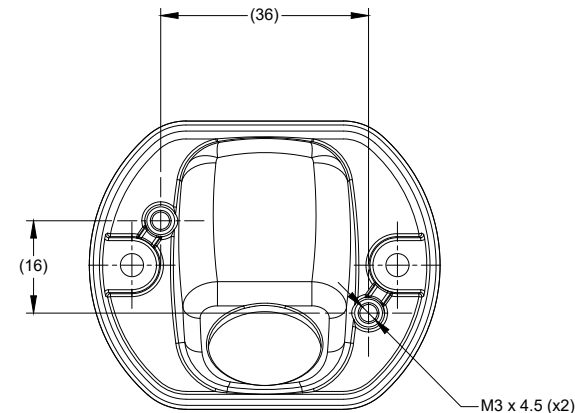
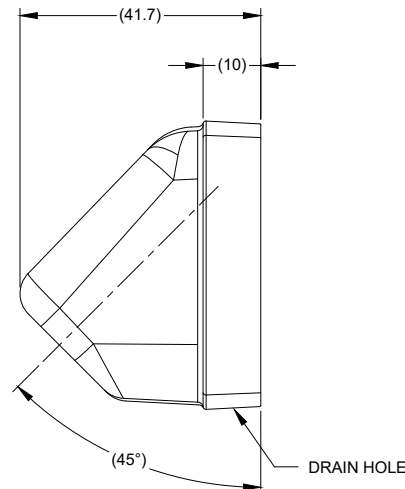
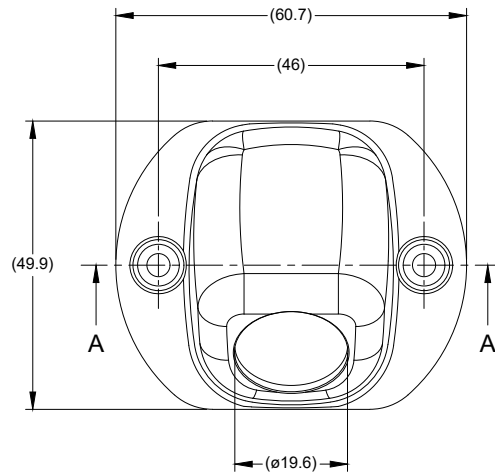
APA: -

Drawn:-

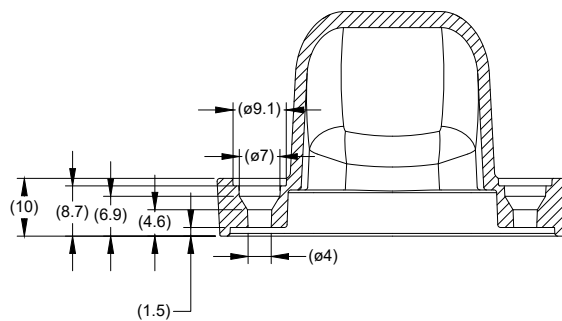
Checked:-

Approved:-

Date: -



SECTION A-A



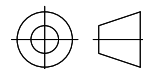
NOTES:

1. MATERIAL: CAST ALUMINIUM ALLOY.
2. FINISH: PAINTED BLACK: "DNA-700 H-BLACK(G-15)"
3. FOR PRODUCT LABEL AND PACKAGING DETAIL REFER TO MASTER BOM.
4. ANY CUSTOMER MODIFICATIONS OF THIS PRODUCT CAUSING SUBSEQUENT FAILURE IS NOT A LIABILITY OF BRIGADE ELECTRONICS PLC.

PROPRIETARY NOTICE

THIS DESIGN AND TECHNICAL INFORMATION APPEARING ON THIS DRAWING IS THE PROPERTY OF BRIGADE ELECTRONICS, AND IS DISCLOSED IN CONFIDENCE. IT IS NOT TO BE COPIED, REPRODUCED, REVEALED TO OR EXPROPRIATED BY OTHERS, EITHER IN WHOLE OR IN PART WITHOUT THE EXPRESS WRITTEN CONSENT OF BRIGADE ELECTRONICS.

BRIGADE

| | | | |
|--|---------------------------|-----------------------------------|-----------------------|
| Assembly Pl Approval Kyungsuk Mike Oh (04/07/24) | Approved by JN. BATOUR | Checked by M. HARDMAN | Drawn by A. FOSTER |
| Angle of Projection  | Units mm | Scale N/A | Released 10/07/24 |
| | Status RELEASED | Assembly Ref BN360-1000C-HI(B) | |
| | Part No 8072 | BE-004920-00-24 | |